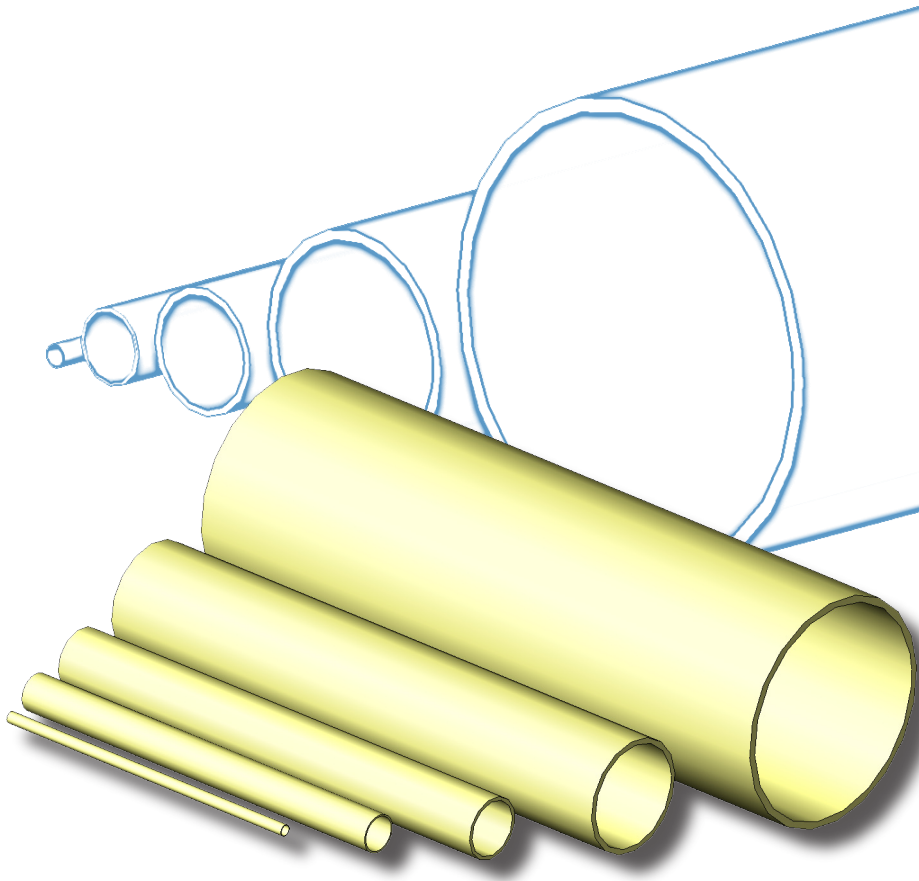


Latex

Straight Tubing

Straight Mock Vessels can be supplied in latex. The vessels are tested and certified for compliance or wall thickness.



Overview

Compliant mock vessels allow researchers to study devices under different environmental conditions that rigid systems do not. Mock vessels are often used for deployment studies, flow studies, durability testing, and demonstration purposes. Vessels are ordered according to mechanical property or dimensional requirements.

Advantages of latex:

- Cost effective
- Ideal for short term studies
- Versatility of sizes available

When contacting us to make an order, we need to know:

- Inner (or outer diameter)
- Pressure at which diameter should be measured
- Compliance range (or wall thickness)
- Length
- Quantity
- Material (latex or silicone)

Vessels of virtually any size and diameter possible, call us to discuss how we can design mock vessels for your testing needs.

Dynatek delta
Leading the world in medical device testing

417.357.6155
800.325.8252
fax 417.357.6327
105 East 4th Street
Galena, MO 65656

www.dynatekdelta.com

